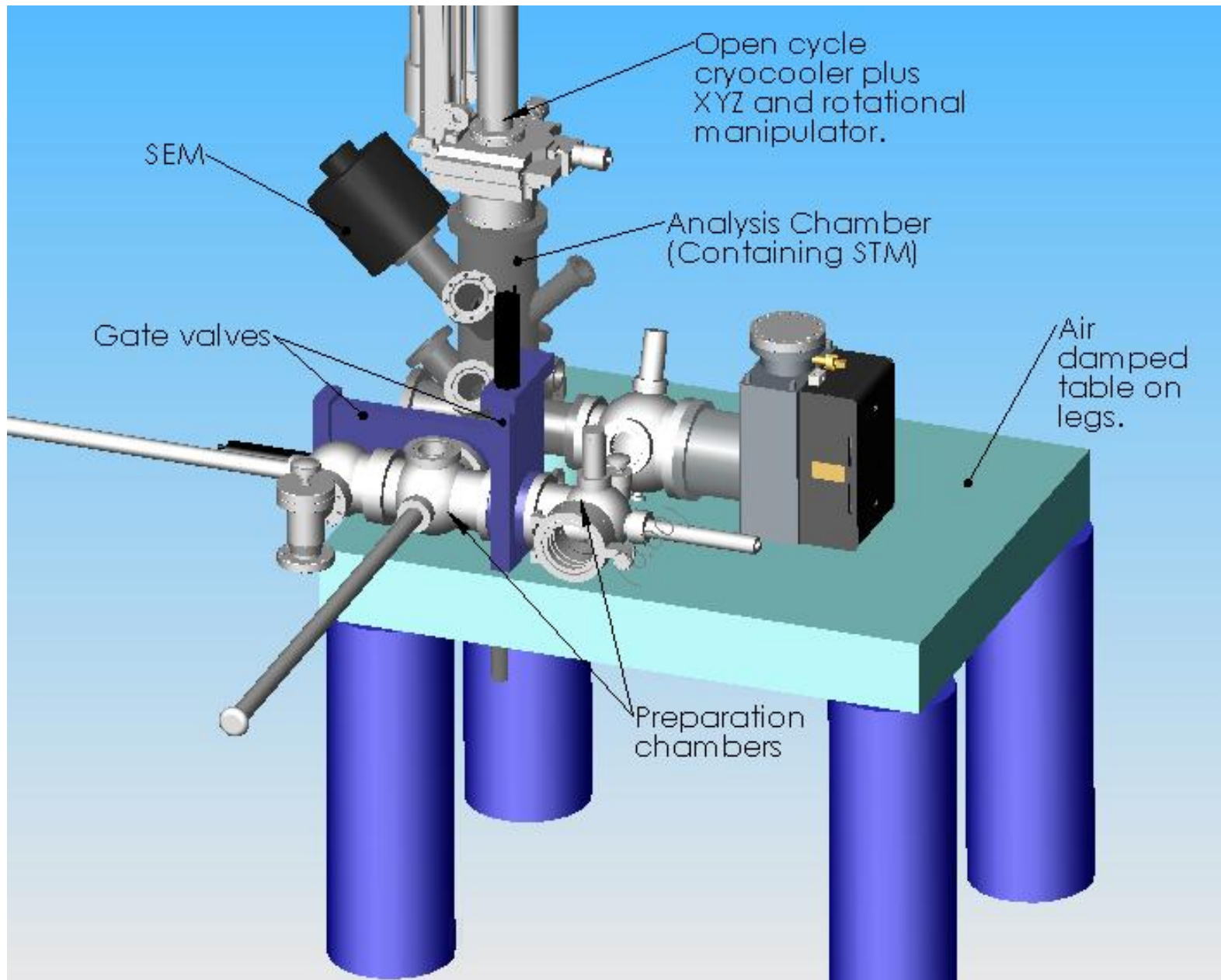
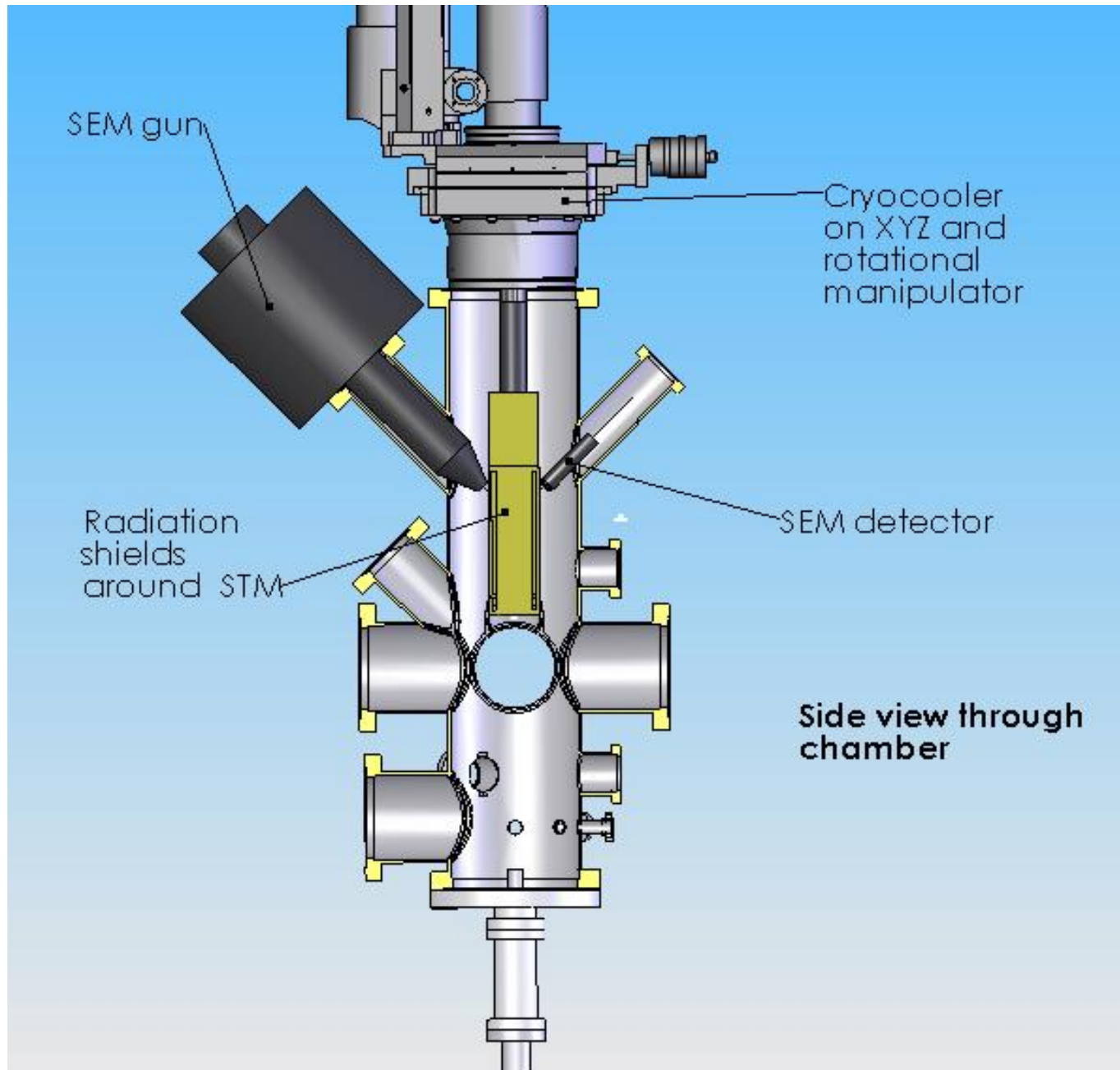


Caltech cryogenic STM/SEM design -- (1) Overview



Caltech cryogenic STM/SEM design -- (2) analysis chamber



Caltech cryogenic STM/SEM design – (3) close-up view

